



Underscore® Rectangle

66" x 36" Heated BubbleMassage™ air bath
K-1173-GH

Features

- 122 airjets release thousands of heated bubbles that surround, support, and massage the body.
- Variable-speed blower lets you adjust massage intensity to 18 levels.
- Built-in heater.
- Automatic and manual purge cycles remove residual water from air channels after use.
- 60-minute automatic shutoff timer.
- Slotted overflow allows for deep soaking.
- Spacious design accommodates up to two bathers.
- Integral lumbar support.
- Keypad control.
- Textured bottom surface.

Material

- Acrylic.

Technology

- Heated BubbleMassage™ technology warms and humidifies air before it enters the bath.

Installation

- Drop-in or undermount.
- Reversible drain.

Required Products/Accessories

K-7271 Brass Slotted Overflow Bath Drain

or

K-7272 PVC Slotted Overflow Bath Drain

Recommended Products/Accessories

- K-1491 Bath/Whirlpool Pillow
- K-1601 Bath/whirlpool footstop, removable
- K-531 Under-Mount Installation Kit
- K-9498 3" Keypad Trim
- K-24916 Wireless Music Kit
- K-1705 Whirlpool/BubbleMassage™ Remote Control
- K-702200-G73 Frameless Sliding Bath Door
- K-702200-L Frameless Sliding Bath Door
- K-706000-D3 Frameless Sliding Bath Door
- K-706000-L Frameless Sliding Bath Door
- K-706003-L Frameless Sliding Bath Door
- K-706004-D3 Frameless Sliding Bath Door
- K-706004-L Frameless Sliding Bath Door
- K-706007-L Frameless Sliding Bath Door
- K-1177 Vinyl Tiling-in Bead



Codes/Standards

- ASME A112.19.7/CSA B45.10
- ASTM E162
- ASTM E662
- UL 1795
- CSA C22.2 No. 218.2

KOHLER® Hydrotherapy Components Five-Year Limited Warranty KOHLER® Plastic Baths and Receptors Lifetime Limited Warranty

See website for detailed warranty information.

Available Colors/Finishes

Color tiles intended for reference only.

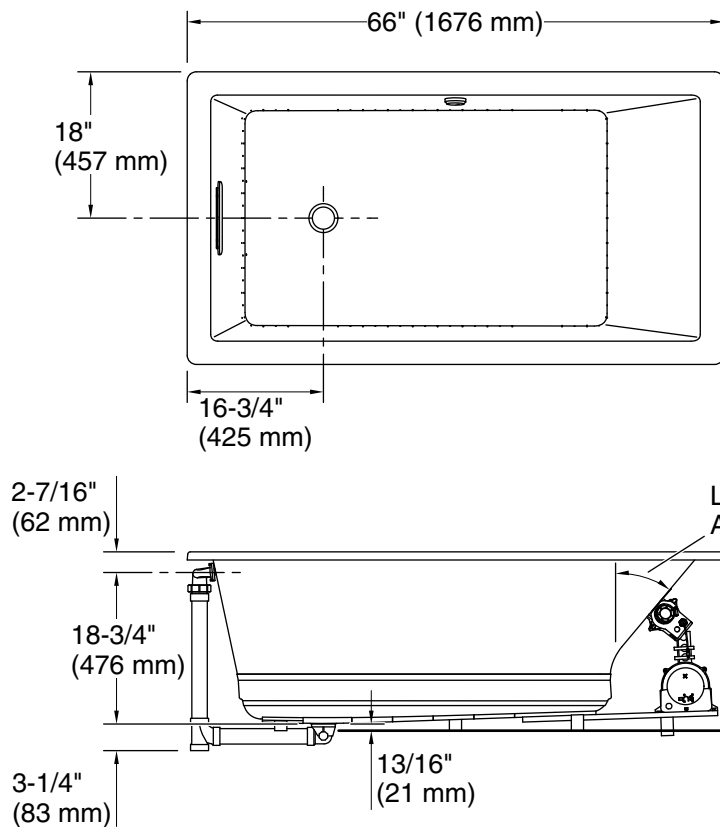
Color	Code	Description
	0	White
	96	Biscuit
	NY	Dune
	95	Ice™ Grey
	58	Thunder™ Grey
	7	Black Black™



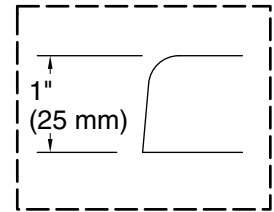
Underscore® Rectangle

66" x 36" Heated BubbleMassage™ air bath

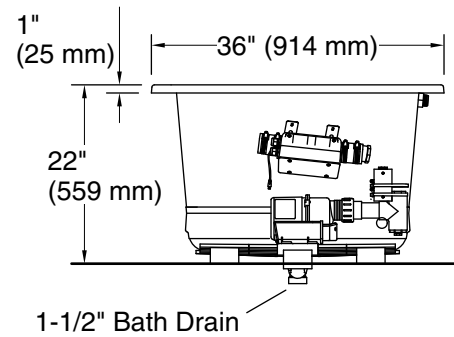
K-1173-GH



No change in measurements if connected with drain illustrated. (K-7272)



Blower Motor Access
 20" (508 mm) W x 15" (381 mm) H Min



Required Electrical Service

Two dedicated circuits required, protected with Class A Ground-Fault Circuit-Interrupter (GFCI). Outside North America, this device may be known as a Residual Current Device (RCD).

- Blower: 120 V, 15 A, 60 Hz
- Air bath: 120 V, 15 A, 60 Hz

Technical Information

All product dimensions are nominal.

- Installation: Drop-in, Undermount
- Drain location: End
- Basin area, bottom: 44-1/2" x 26-1/2" (1130 mm x 673 mm)
- Basin area, top: 60-1/4" x 30-1/4" (1530 mm x 768 mm)
- Weight: 105 lbs (47.6 kg)
- Minimum floor load: 60 lbs/ft² (292.9 kg/m²)
- Water depth: 17-3/4" (451 mm)
- Water capacity: 102 gal (386.1 L)
- Cutout: Drop-in, 65" x 35" (1651 mm x 889 mm)
- Electrical component rating: Blower: 120 V, 10 A, 60 Hz
Air bath: 120 V, 5 A, 60 Hz
- Blower speed: Variable

Notes

Measure your actual product for rough-in details.

Install this product according to the installation instructions.

The hot water supply should be 70% of the capacity of the bath or greater. Installations will vary.